
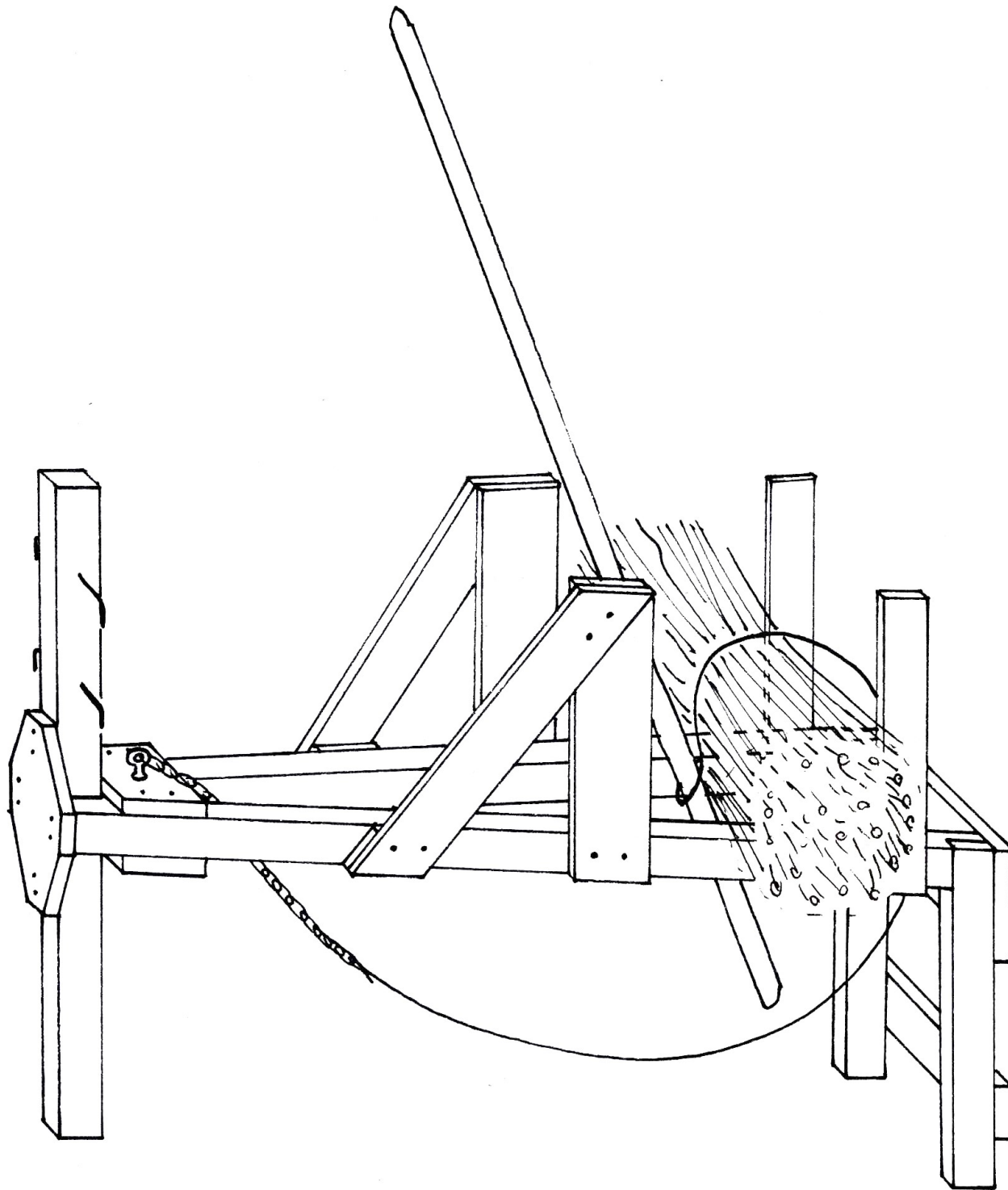


Building plan for a binding jig 1/10
 front, side and top view

Total L 1240 mm x W 880 mm x D 450 mm
 Lever L 1400 mm x Ø 40 mm
 Beams 55 x 55 mm, for example,
 Cable L 2000 mm x 6 mm diameter

Shorten after first use, with a length of chain you can adjust the diameter of the faggot





Perspective binding jig 1/10

L 1240 mm x H 880 mm x D 450 mm

Safety

Do not stand above the lever when it is held under tension!

